

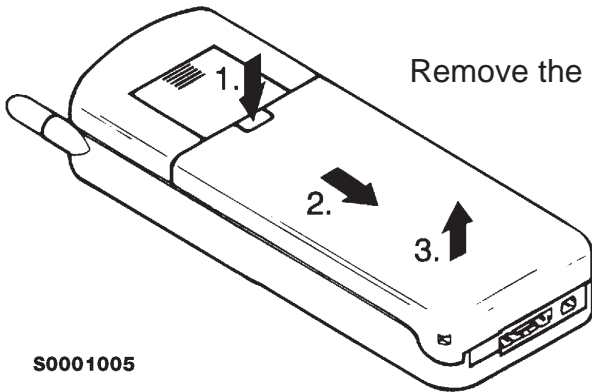


## Contents of Disassembly Instructions

Disassembly Instructions

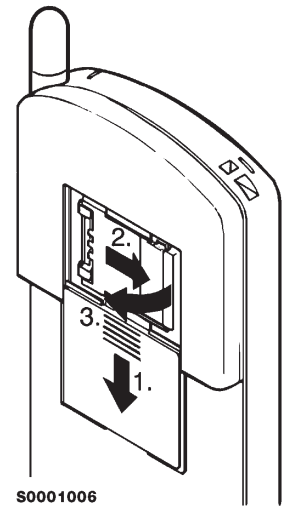
6-1-2

## Disassembly Instructions



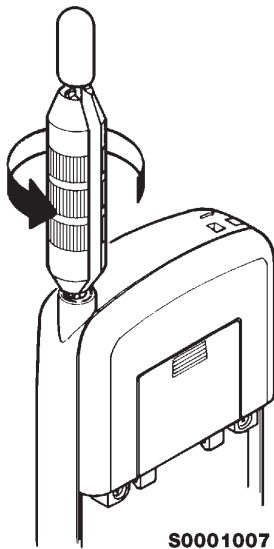
Remove the battery.

S0001005



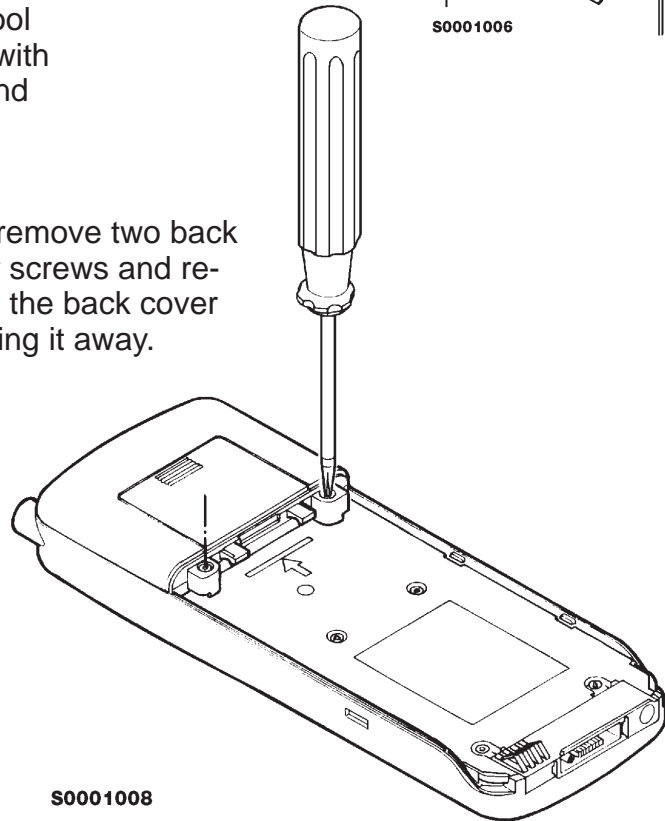
Remove the  
SIM card.

S0001006

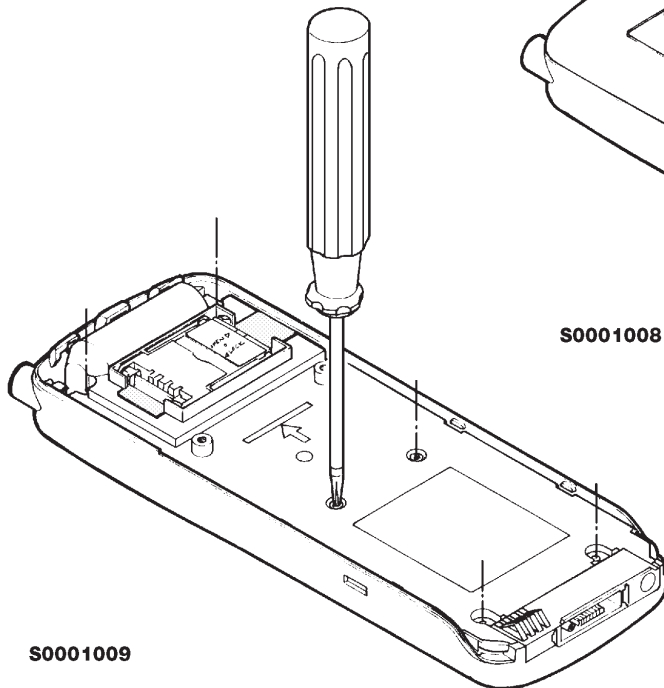


Remove the antenna by  
unscrewing with the an-  
tenna extraction tool  
ART-3 (not used with  
NHE-4, NHK-4 and  
NHB-2)

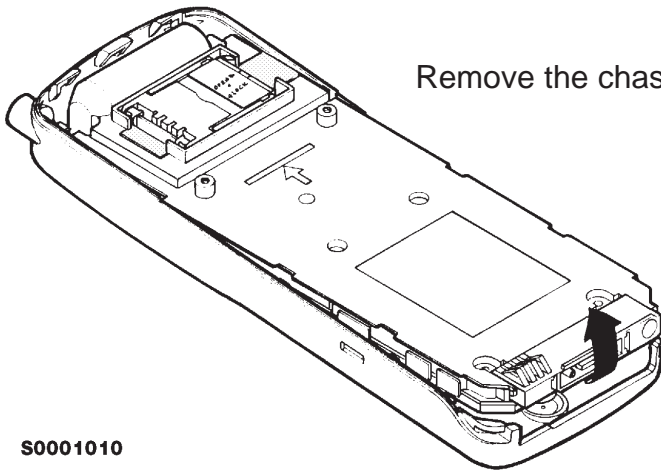
Now remove two back  
cover screws and re-  
move the back cover  
by lifting it away.



Then remove six  
chassis screws.

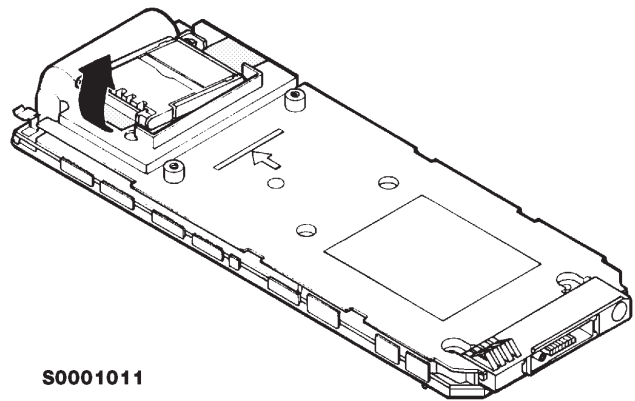


S0001009

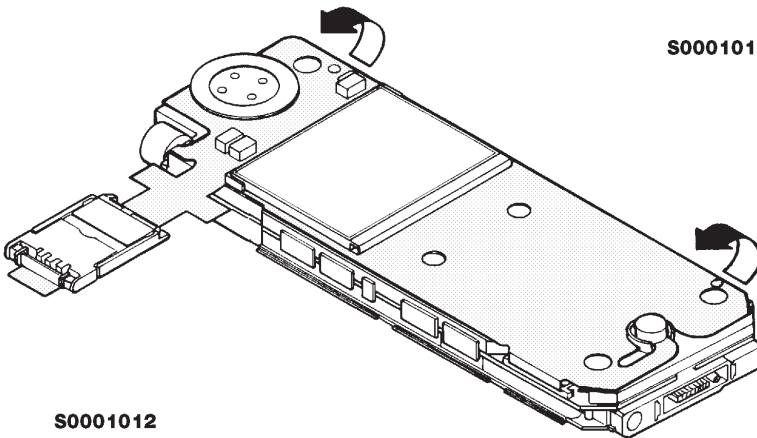


S0001010

Now the SIM card holder  
can be lifted off.



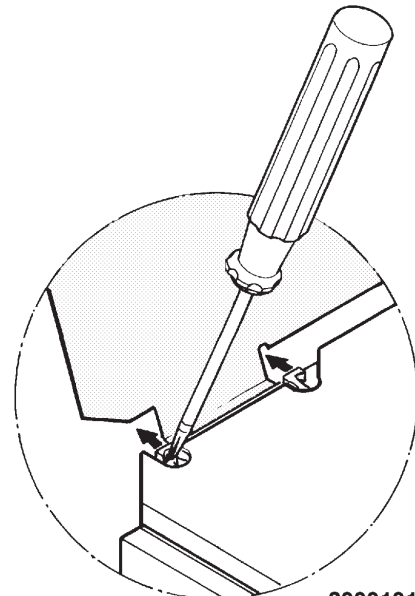
S0001011



S0001012

Turn around the chassis and open  
the display module a little.

Open the display module connector  
by pressing both sides of connector  
and slide off the display module  
cable.

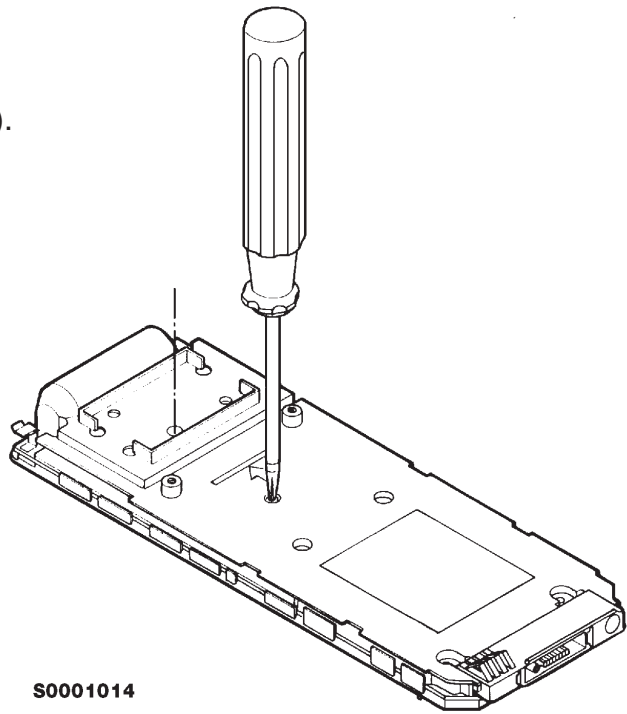


S0001013

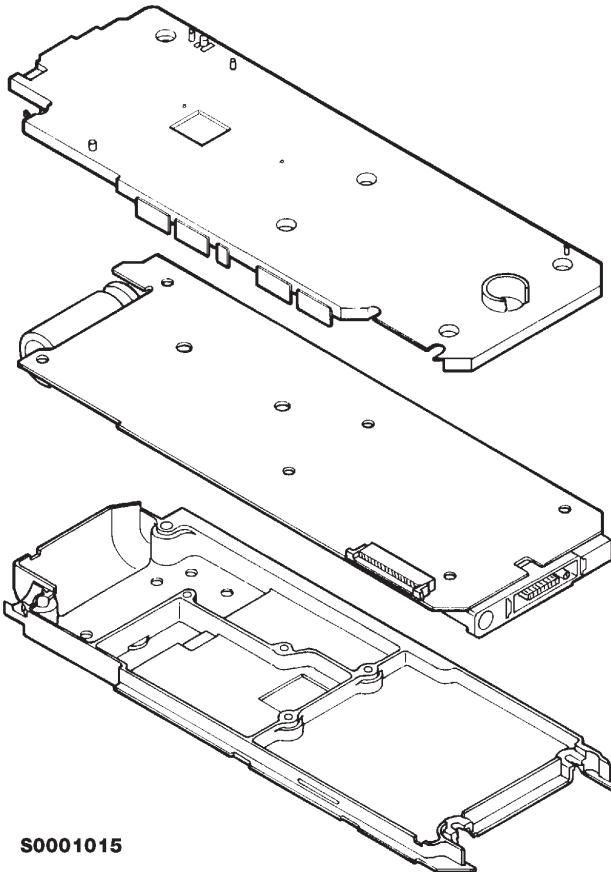
Remove edge clips from both sides of the chassis (not shown).

NHE-1 and NHK-1:  
Turn chassis again and remove two module screws.

NHE-4, NHK-4 and NHB-2:  
Remove three/four module screws.



S0001014



S0001015

Remove the plastic shield. The plastic shield can be thrown away and is disposable (NHE-1 and NHK-1 only).

Now you can separate the system module from the bottom shield by lifting it away.